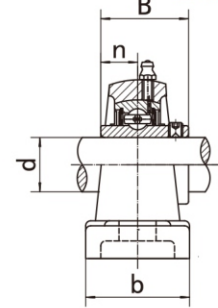
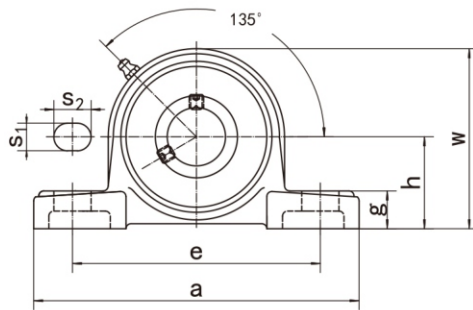


Pillow Blocks

UCLP2 (Normal-duty)



Unit NO.	Dimensions (mm / in.)											Bolt Size mm/in.	Bearing No.	Housin g No.	Weight (kg)
	d	h	a	e	b	s1	s2	g	w	B	n				
UCLP201	12	31.75	127	95	38	13	16	14	64	31	12.7	M10	UC201	LP201	0.69
201-8	1/2	1-1/4	5	3-3/4	1-1/2	1/2	5/8	9/16	2-33/64	1.2205	0.500	3/8	UC201-8		0.68
UCLP202	15	31.75	127	95	38	13	16	14	64	31	12.7	M10	UC202	LP202	0.68
202-9	9/16	1-1/4	5	3-3/4	1-1/2	1/2	5/8	9/16	2-33/64	1.2205	0.500	3/8	UC202-9		0.68
202-10	5/8	1-1/4	5	3-3/4	1-1/2	1/2	5/8	9/16	2-33/64	1.2205	0.500	3/8	UC202-10		0.68
UCLP203	17	31.75	127	95	38	13	16	14	64	31	12.7	M10	UC203	LP203	0.67
203-11	11/16	1-1/4	5	3-3/4	1-1/2	1/2	5/8	9/16	2-33/64	1.2205	0.500	3/8	UC203-11		0.66
UCLP204	20	31.75	127	95	38	13	16	14	64	31	12.7	M10	UC204	LP204	0.65
204-12	3/4	1-1/4	5	3-3/4	1-1/2	1/2	5/8	9/16	2-33/64	1.2205	0.500	3/8	UC204-12		0.65
UCLP205	25	33.34	140	105	38	13	16	15	68	34.1	14.3	M10	UC205	LP205	0.74
205-13	13/16	1-1/4	5	4-1/8	1-1/2	1/2	5/8	19/32	2-43/64	1.3425	0.563	3/8	UC205-13		0.78
205-14	7/8	1-5/16	5-1/2	4-1/8	1-1/2	1/2	5/8	19/32	2-43/64	1.3425	0.563	3/8	UC205-14		0.77
205-15	15/16	1-5/16	5-1/2	4-1/8	1-1/2	1/2	5/8	19/32	2-43/64	1.3425	0.563	3/8	UC205-15		0.75
205-16	1	1-5/16	5-1/2	4-1/8	1-1/2	1/2	5/8	19/32	2-43/64	1.3425	0.563	3/8	UC205-16		0.74
UCLP206	30	39.69	160	121	44	17	20	17	80	38.1	15.9	M14	UC206	LP206	1.11
206-17	1-1/16	1-9/16	6-19/64	4-3/4	1-47/64	43/64	25/32	21/32	3-5/32	1.5000	0.626	1/2	UC206-17		1.12
206-18	1-1/8	1-9/16	6-19/64	4-3/4	1-47/64	43/64	25/32	21/32	3-5/32	1.5000	0.626	1/2	UC206-18		1.13
206-19	1-3/16	1-9/16	6-19/64	4-3/4	1-47/64	43/64	25/32	21/32	3-5/32	1.5000	0.626	1/2	UC206-19		1.11
206-20	1-1/4	1-9/16	6-19/64	4-3/4	1-47/64	43/64	25/32	21/32	3-5/32	1.5000	0.626	1/2	UC206-20		1.10
UCLP207	35	46.04	167	127	48	17	20	18	91	42.9	17.5	M14	UC207	LP207	1.42
207-20	1-1/4	1-13/16	6-9/16	5	1-7/8	43/64	25/32	45/64	3-37/64	1.6890	0.689	1/2	UC207-20		1.48
207-21	1-5/16	1-13/16	6-9/16	5	1-7/8	43/64	25/32	45/64	3-37/64	1.6890	0.689	1/2	UC207-21		1.45
207-22	1-3/8	1-13/16	6-9/16	5	1-7/8	43/64	25/32	45/64	3-37/64	1.6890	0.689	1/2	UC207-22		1.42
207-23	1-7/16	1-13/16	6-9/16	5	1-7/8	43/64	25/32	45/64	3-37/64	1.6890	0.689	1/2	UC207-23		1.39
UCLP208	40	49.2	184	137	54	17	20	18	100	49.2	19	M14	UC208	LP208	1.87
208-24	1-1/2	1-15/16	7-1/4	5-13/32	2-1/8	43/64	25/32	45/64	3-15/16	1.9370	0.748	1/2	UC208-24		1.91
208-25	1-9/16	1-15/16	7-1/4	5-13/32	2-1/8	43/64	25/32	45/64	3-15/16	1.9370	0.748	1/2	UC208-25		1.88
UCLP209	45	52.39	190	146	54	17	20	20	104	49.2	19	M14	UC209	LP209	2.03
209-26	1-5/8	2-1/16	7-15/32	5-3/4	2-1/8	43/64	25/32	25/32	4-3/32	1.9370	0.748	1/2	UC209-26		2.13
209-27	1-11/16	2-1/16	7-15/32	5-3/4	2-1/8	43/64	25/32	25/32	4-3/32	1.9370	0.748	1/2	UC209-27		2.09
209-28	1-3/4	2-1/16	7-15/32	5-3/4	2-1/8	43/64	25/32	25/32	4-3/32	1.9370	0.748	1/2	UC209-28		2.05
UCLP210	50	55.56	206	159	60	20	23	21	112	51.6	19.0	M16	UC210	LP210	2.60
210-29	1-13/16	2-3/16	8-1/8	6-1/4	2-3/8	25/32	29/32	53/64	4-13/32	2.0315	0.748	5/8	UC210-29		2.72
210-30	1-7/8	2-3/16	8-1/8	6-1/4	2-3/8	25/32	29/32	53/64	4-13/32	2.0315	0.748	5/8	UC210-30		2.67
210-31	1-15/16	2-3/16	8-1/8	6-1/4	2-3/8	25/32	29/32	53/64	4-13/32	2.0315	0.748	5/8	UC210-31		2.62
210-32	2	2-3/16	8-1/8	6-1/4	2-3/8	25/32	29/32	53/64	4-13/32	2.0315	0.748	5/8	UC210-32		2.58
UCLP211	55	61.91	219	171	60	20	23	23	124	55.6	22.2	M16	UC211	LP211	3.22
211-32	2	2-7/16	8-5/8	6-47/64	2-3/8	25/32	29/32	29/32	4-7/8	2.1890	0.874	5/8	UC211-32		3.37
211-33	2-1/16	2-7/16	8-5/8	6-47/64	2-3/8	25/32	29/32	29/32	4-7/8	2.1890	0.874	5/8	UC211-33		3.31
211-34	2-1/8	2-7/16	8-5/8	6-47/64	2-3/8	25/32	29/32	29/32	4-7/8	2.1890	0.874	5/8	UC211-34		3.27
211-35	2-3/16	2-7/16	8-5/8	6-47/64	2-3/8	25/32	29/32	29/32	4-7/8	2.1890	0.874	5/8	UC211-35		3.20
UCLP212	60	68.26	241	184	70	20	23	25	136	65.1	25.4	M16	UC212	LP212	4.39
212-36	2-1/4	2-11/16	9-1/2	7-1/4	2-3/4	25/32	29/32	63/64	5-23/64	2.5630	1.000	5/8	UC212-36		4.52
212-37	2-5/16	2-11/16	9-1/2	7-1/4	2-3/4	25/32	29/32	63/64	5-23/64	2.5630	1.000	5/8	UC212-37		4.44
212-38	2-3/8	2-11/16	9-1/2	7-1/4	2-3/4	25/32	29/32	63/64	5-23/64	2.5630	1.000	5/8	UC212-38		4.37
212-39	2-7/16	2-11/16	9-1/2	7-1/4	2-3/4	25/32	29/32	63/64	5-23/64	2.5630	1.000	5/8	UC212-39		4.30