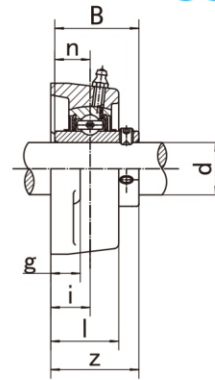
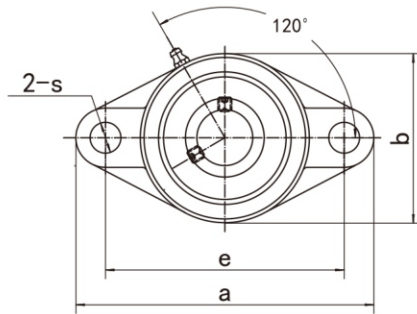


## Flange Units (Oval)

## UCFT2 (Normal-duty)



Unit NO.	Dimensions ( mm / in. )											Bolt Size mm/in.	Bearing No.	Housing No.	Weight (kg)
	d	a	e	i	g	l	s	b	z	B	n				
UCFT204 204-12	20 3/4	112 4-13/32	89.5 3-33/64	19.0 3/4	11.0 7/16	29.0 1-9/64	10.5 27/64	60.0 2-3/8	37.3 1-15/32	31.0 1.2205	12.7 0.500	M8 5/16	UC204 UC204-12	FT204	0.45 0.45
UCFT205 205-13 205-14 205-15 205-16	25 13/16 7/8 15/16 1	124 4-7/8	99.0 3-57/64	20.0 25/32	13.0 1/2	31.0 1-7/32	13.0 33/64	70.0 2-3/4	39.8 1-37/64	34.1 1.3425	14.3 0.563	M10 3/8	UC205 UC205-13 UC205-14 UC205-15 UC205-16	FT205	0.63 0.67 0.66 0.64 0.63
UCFT206 206-17 206-18 206-19 206-20	30 1-1/16 1-1/8 1-3/16 1-1/4	141 5-35/64	116.5 4-37/64	21.0 53/64	13.0 1/2	34.0 1-11/32	13.0 33/64	82.0 3-15/64	43.2 1-45/64	38.1 1.5000	15.9 0.626	M10 3/8	UC206 UC206-17 UC206-18 UC206-19 UC206-20	FT206	0.89 0.90 0.91 0.89 0.88
UCFT207 207-20 207-21 207-22 207-23	35 1-1/4 1-5/16 1-3/8 1-7/16	156 6-9/64	130.0 5-1/8	21.5 27/32	14.0 35/64	36.5 1-7/16	14.0 35/64	95.0 3-47/64	46.9 1-27/32	42.9 1.6890	17.5 0.689	M12 7/16	UC207 UC207-20 UC207-21 UC207-22 UC207-23	FT207	1.25 1.32 1.29 1.26 1.23
UCFT208 208-24 208-25	40 1-1/2 1-9/16	171 6-47/64	143.5 5-21/32	24.0 61/64	14.0 35/64	39.0 1-17/32	14.0 35/64	105.0 4-9/64	54.2 2-9/64	49.2 1.9370	19.0 0.748	M12 7/16	UC208 UC208-24 UC208-25	FT208	1.61 1.65 1.62
UCFT209 209-26 209-27 209-28	45 1-5/8 1-11/16 1-3/4	179 7-3/64	148.5 5-55/64	24.0 61/64	14.0 35/64	40.0 1-37/64	16.0 5/8	111.0 4-3/8	54.2 2-9/64	49.2 1.9370	19.0 0.748	M14 1/2	UC209 UC209-26 UC209-27 UC209-28	FT209	1.81 1.91 1.87 1.83
UCFT210 210-29 210-30 210-31 210-32	50 1-13/16 1-7/8 1-15/16 2	189 7-7/16	157.0 6-3/16	28.5 1-1/8	14.0 35/64	47.0 1-27/32	16.0 5/8	116.0 4-9/16	61.1 2-13/32	51.6 2.0315	19.0 0.748	M14 1/2	UC210 UC210-29 UC210-30 UC210-31 UC210-32	FT210	2.15 2.27 2.22 2.17 2.13
UCFT211 211-32 211-33 211-34 211-35	55 2 2-1/16 2-1/8 2-3/16	216 8-1/2	184.0 7-1/4	32.0 1-17/64	20.0 25/32	50.0 1-31/32	18.0 45/64	133.0 5-15/64	65.4 2-37/64	55.6 2.1890	22.2 0.874	M16 5/8	UC211 UC211-32 UC211-33 UC211-34 UC211-35	FT211	3.20 3.35 3.29 3.25 3.18
UCFT212 212-36 212-37 212-38 212-39	60 2-1/4 2-5/16 2-3/8 2-7/16	235 9-1/4	202 7-61/64	34 1-9/64	21 53/64	53 2-3/32	18 23/32	138 5-7/16	73.7 2-29/32	65.1 2.5630	25.4 1.000	M16 5/8	UC212 UC212-36 UC212-37 UC212-38 UC212-39	FT212	4.00 4.13 4.05 3.98 3.91
UCFT213 213-40 213-41	65 2-1/2 2-9/16	248 9-49/64	210 8-17/64	38 1-1/2	22 55/64	56 2-13/64	20.5 13/16	152 5-63/64	77.7 3-1/16	65.1 2.5630	25.4 1.000	M18 23/32	UC213 UC213-40 UC213-41	FT213	4.72 4.81 4.72
UCFT214 214-42 214-43 214-44	70 2-5/8 2-11/16 2-3/4	257 10-7/16	216 8-1/2	38 1-1/2	23 29/32	58 2-9/32	23 29/32	157 6-3/16	82.4 3-1/4	74.6 2.9370	30.2 1.189	M20 3/4	UC214 UC214-42 UC214-43 UC214-44	FT214	5.27 5.48 5.38 5.28